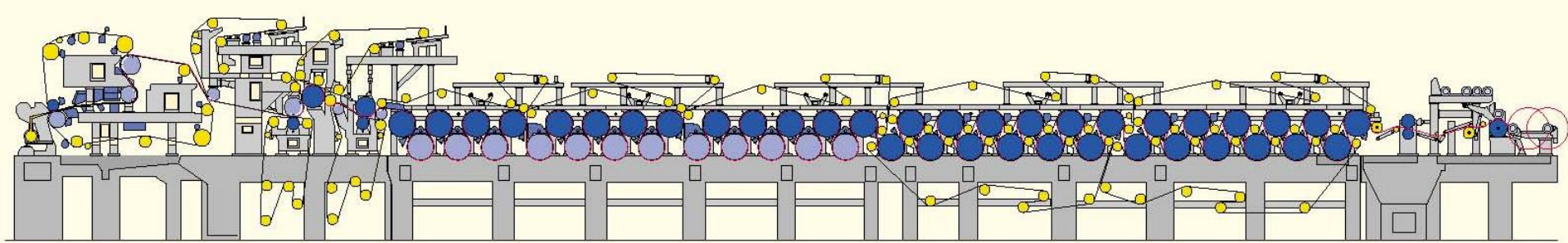




Ref. No. 227-A – 7.4m Voith
Duoformer PM

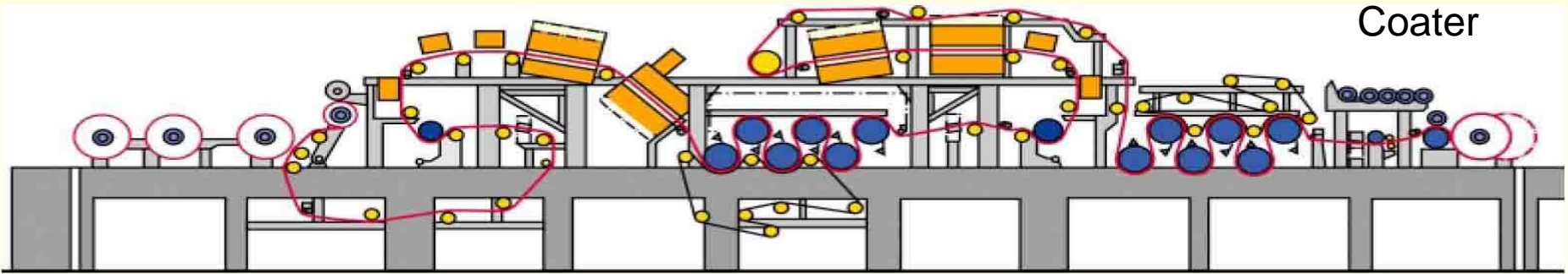


□ Supplier	Voith
□ Width	7.450 mm
□ Design speed	1.400m/min
□ Operating speed	900 – 1.280m/min
□ Basis weight	35 – 55 g/m ²
□ Capacity	300 – 560 t/d

□ 1985	Start up
□ 1990	Voith Duoformer CF
□ 1997	Voith Pressrun Box Duostabilisator Water jet tail cutter
	Servohydraulic Rollmaster
□ 1999	Küsters Multi-HV
□ 2001	Parsytec WIS
□ 2008	Metso IQ plus QCS

□ Headbox	Duoformer CF Basis weight control w/ 94 actuators
□ Press	Duocentri 2 with 4.Press
□ Dryers	1. – 3. Dryer section Uno Run 4. – 5. Dryer section Conventional
□ Calander	Küsters Milti-HV Caliper control 24 sections

□ QCS	Metso IQ plus
□ PLS	Metso Damatic Classic
□ SPS	Siemens S5
□ Drives	Siemens Modulpac (GS; analog)
□ WIS	Parsytec



□ Supplier	Voith
□ Working width ingoing	7.450mm
□ Working width outgoing	7.350mm
□ Design speed	1.600m/min
□ Operating speed	1.400 – 1.600m/min
□ Basis weight	45 –80g/m ²

□ 1985	Start up
□ 1997	Voith CD profile control
□ 2007	Voith Jetflow Voith OnQ QCS
□ 2011	WIS Parsytec

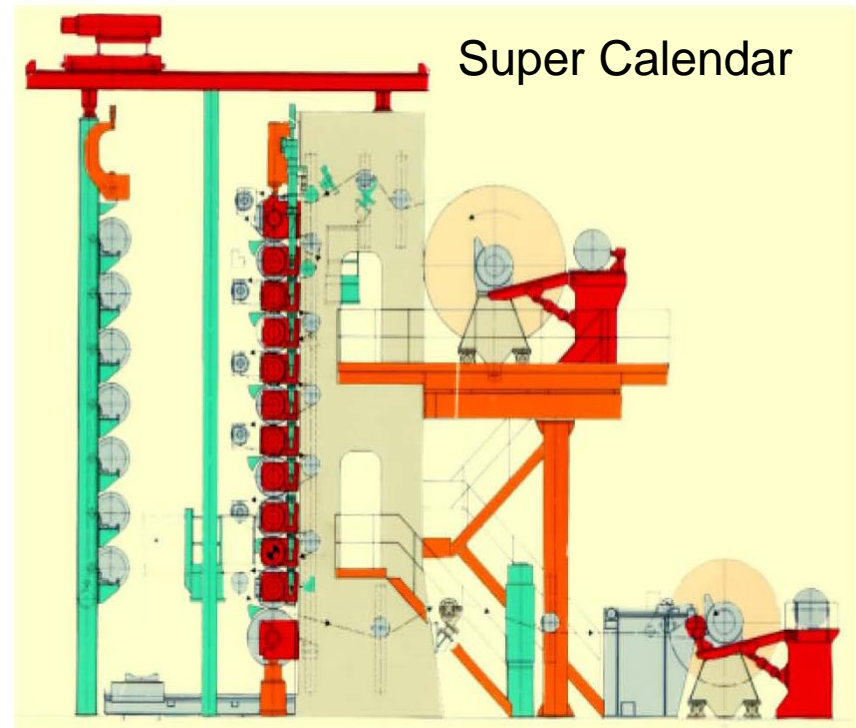
□ Applicator	Voith Jetflow CD control with 102 Actuators
□ Dryer	Krieger Gas- Airfoils/IR-Dryers
□ Moisture profile	IRCON (2x)102 Zones

□ QCS	Voith OnQ
□ PLS	Metso Damatic Classic Siemens PCS 7
□ SPS	Siemens S5 & S7
□ Drives	Siemens Modulpac (GS; analog)
□ WIS	Parsytec

□ Supplier	Kleinewefers
□ Width	7.350mm
□ Design speed	1.000m/min
□ Operating speed	700 – 800m/min
□ Line load	220 – 320 kN/M

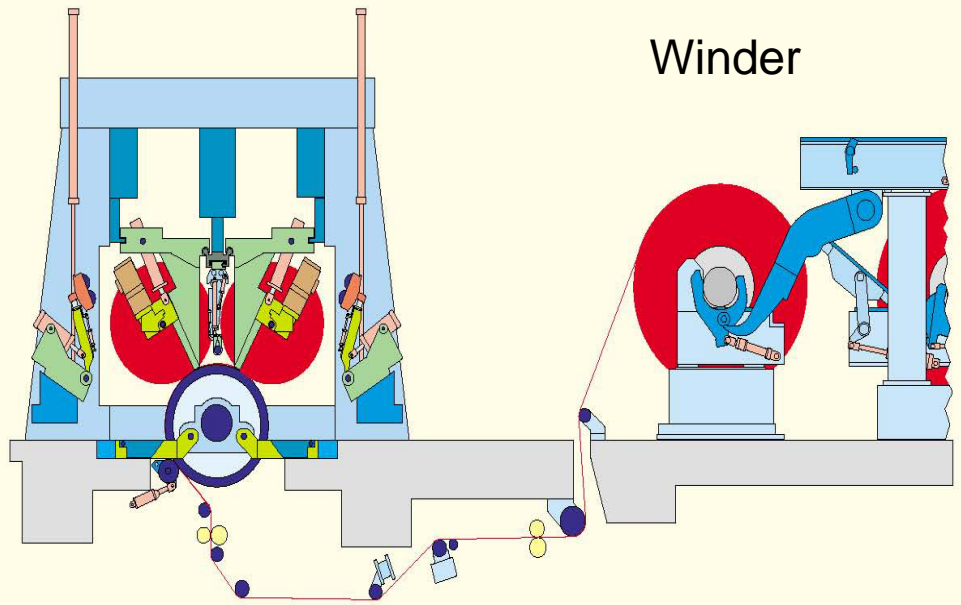
□ Rolls	8-sections Nipco-Toproll 4 X Steel rolls 6 X Paper rolls 8-sections Nipco- bottom roll with CD control
□ Reeler	Sensomat

□ 1985	Start up
□ 1997	Voith Nipcontrol Voith Sensomat



□ QCS	ABB Accuray 1180
□ PLS	Voith Nipcontrol
□ SPS	Siemens S5
□ Drives	Siemens Modulpac (GS; analog)

□ Supplier	Jagenberg
□ Width	7.400mm
□ Design speed	2.200m/min
□ Operating speed	1.300 – 1.500m/min
□ Draw	max 800N/m
□ Roll numbers	max 10
□ Roll width	400 - 3.800mm
□ Roll diameter	max 1.500mm

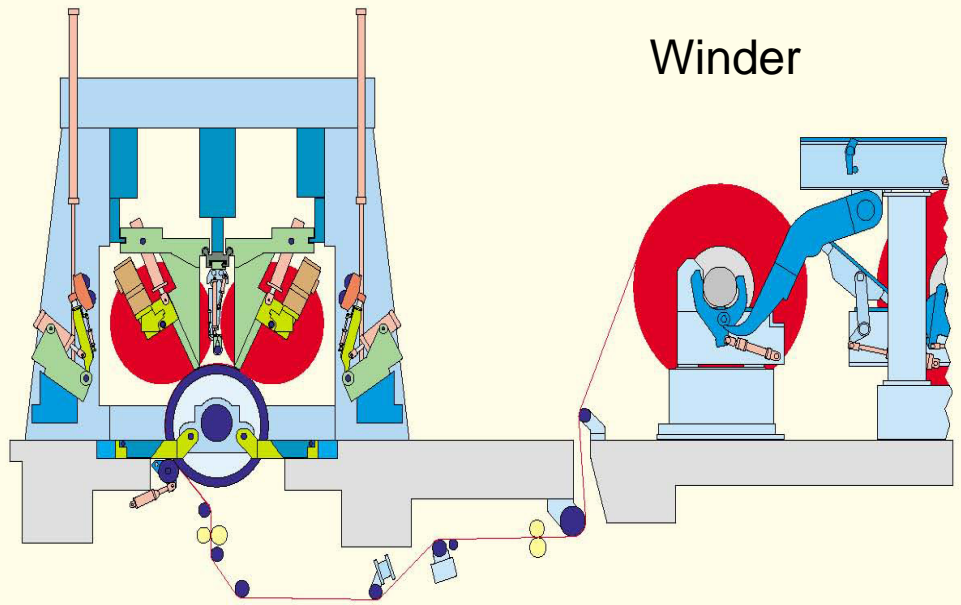


□ Tambour storage	max 4 Tambours
□ Tambour dimensions	max 2.900mm / 34t
□ Slitters	11
□ Center drum	WC – Steel roll
□ Rewinder stations	2 center winder 6 light-duty stations

□ 1985	Start up
□ 1994	Center drive Simadyn D

□ PLS	JagMatic
□ SPS	Siemens S5
□ Drives	Siemens SimadynD (GS;digital)

□ Supplier	Jagenberg
□ Width	7.400mm
□ Design speed	2.200m/min
□ Operating speed	1.300 – 1.500m/min
□ Draw	max 800N/m
□ Roll numbers	max 10
□ Roll width	400 - 3.800mm
□ Roll diameter	max 1.500mm



□ Tambour storage	max 4 Tambours
□ Tambour dimensions	max 2.900mm / 34t
□ Slitters	11
□ Center drum	MultiDrive
□ Rewinder stations	3 center drives 1 heavy-duty station 4 light-duty stations

□ 1985	Start up
□ 1994	Center drive Simadyn D
□ 2011	PLS Gapcon

□ PLS	Gapcon WINCC
□ SPS	Siemens S7
□ Drives	Siemens SimadynD (GS;digital)